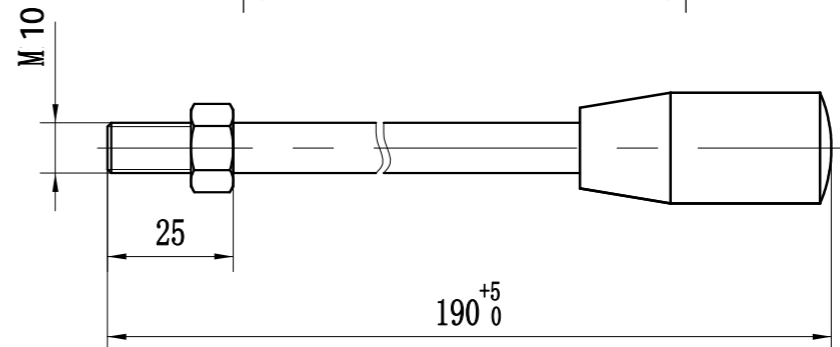
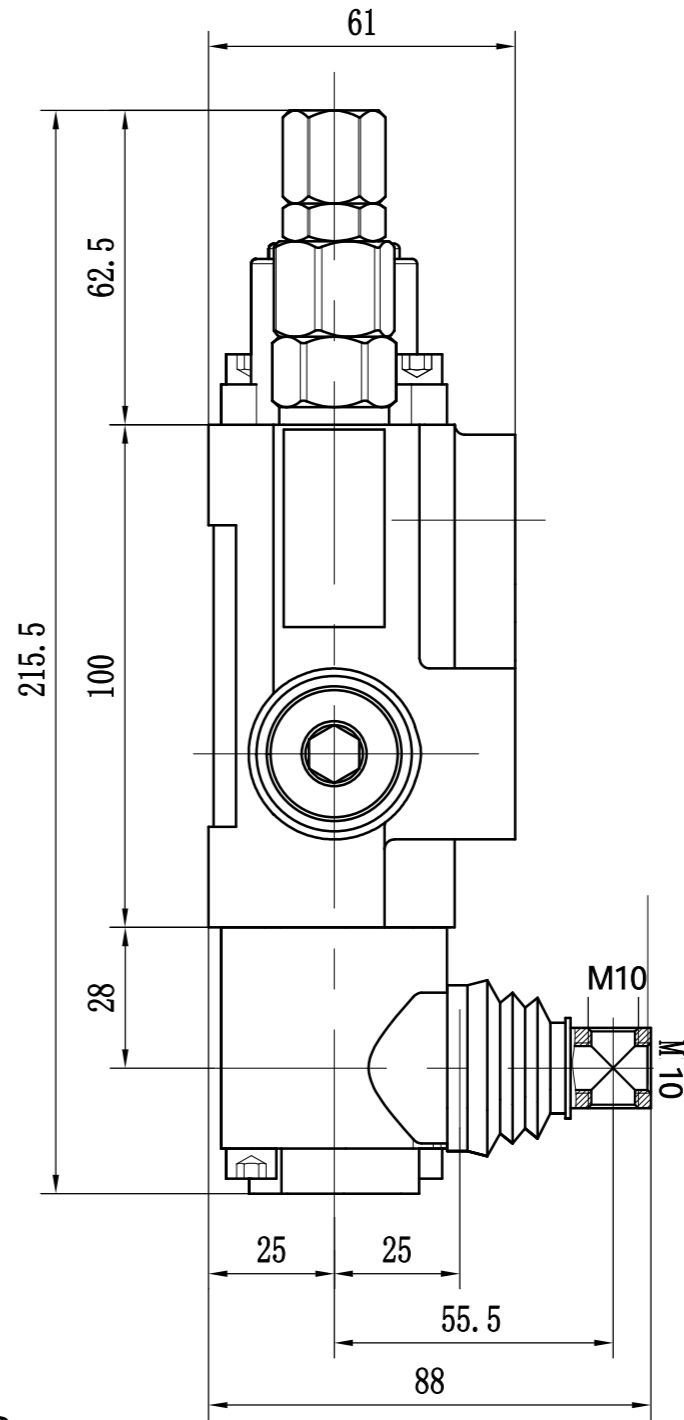
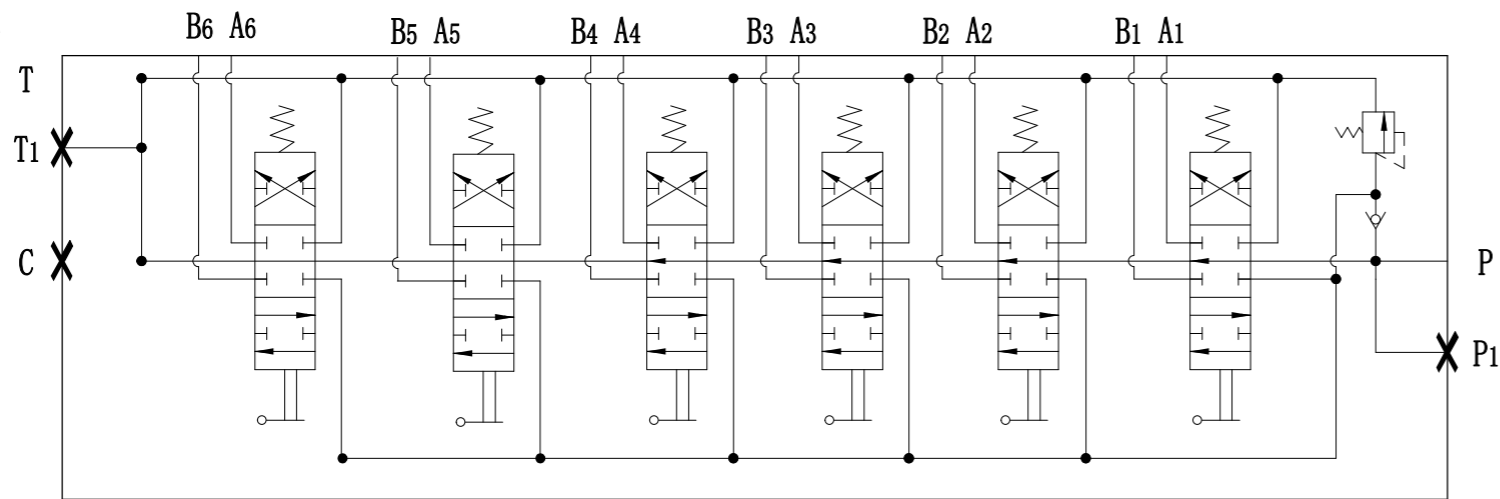
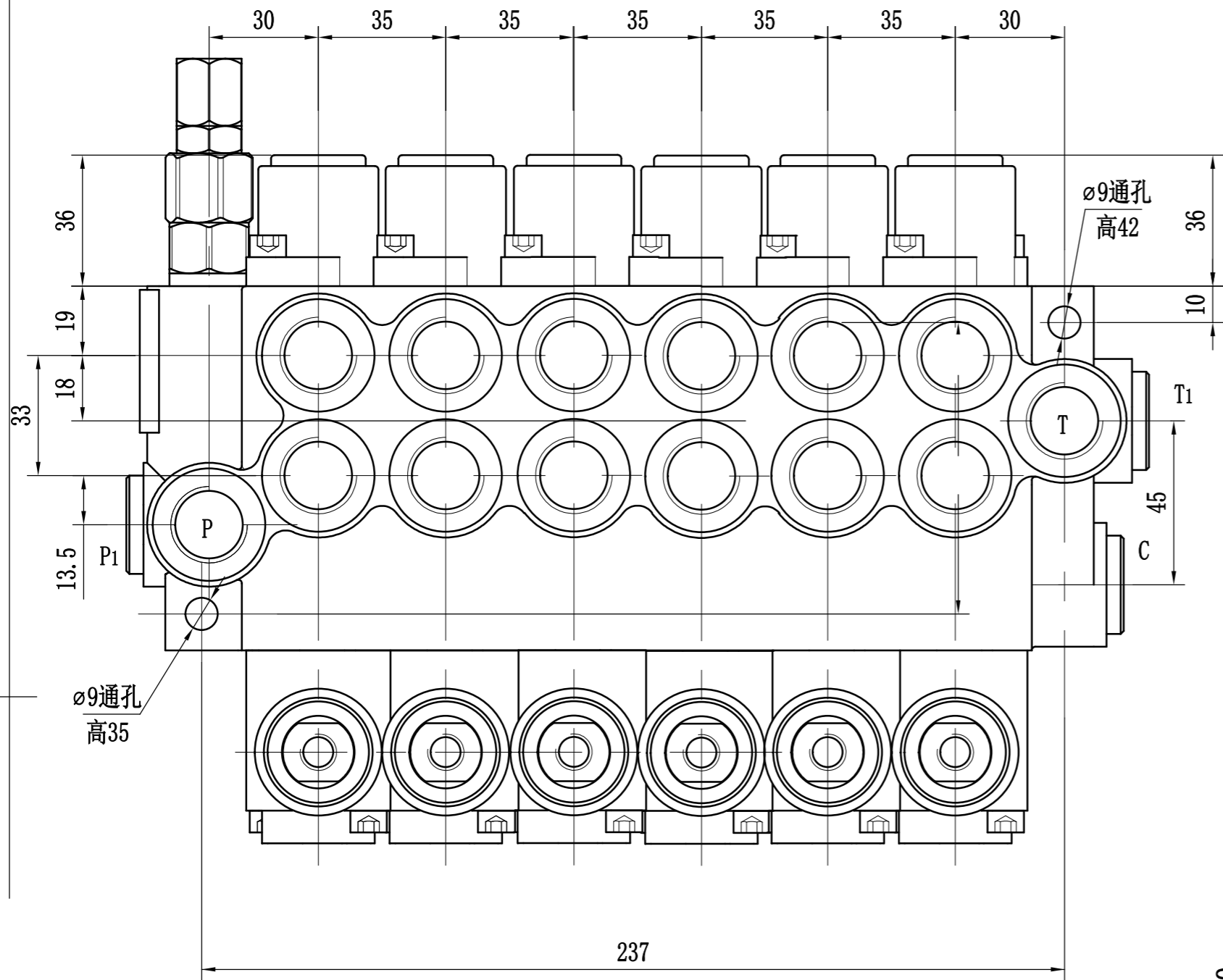


P40-60T



Technical requirements:

1. Rated flow rate: 40L/min, maximum flow rate: 55L/min;
2. Maximum working pressure: 25MPa;
3. Safety valve setting pressure: 20MPa;
4. Each moving part must be flexible and free from any sticking or jamming;
5. Oil port size: P, A, B, T, C oil ports are all G1/2; Invert the orifice at an angle of $1 \times 45^\circ$; 6. Each inlet and outlet should be sealed with plastic oil plugs to prevent dust;
7. The form, length, and color of the handle cover are determined according to user requirements.

设计		图样标记	S	A	B
制图		数量	比例		
描图		1	1:1.5		
校对		共	张	第	张
工艺检查		P40-60T			
标准化检查					
审核					
标记	更改内容或依据	更改人	日期	批准	六联多路阀